

www.icmcorp.net

The DB6RCAU is our Universal RCA type connector that fits standard, tri-shield, and quad-shield RG6U coaxial cable.

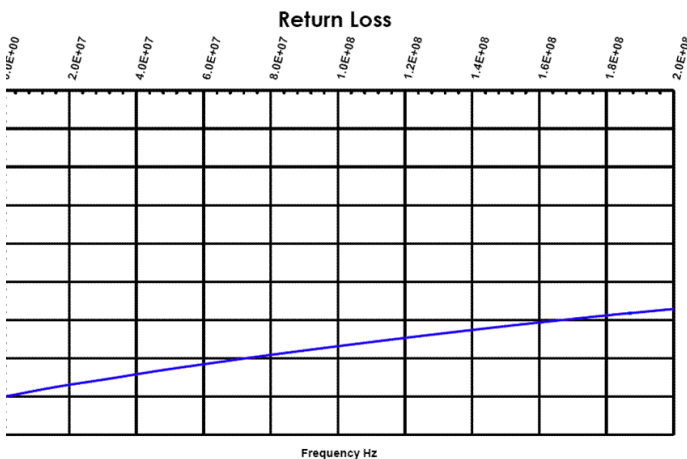
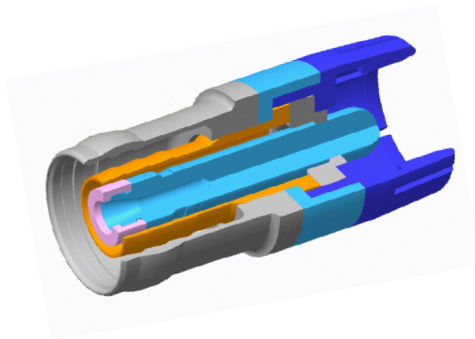


Specifications:

- 75 Ohm Construction
- DC-100 MHz > 36 dB Return Loss < 1.03 VSWR
- DC-200 MHz > 35 dB Return Loss < 1.04 VSWR
- DC-300 MHz > 33 dB Return Loss < 1.06 VSWR
- Cable Pullout Force Exceeding 65 in/lbs.
- Body Material Brass
- Body Material (Plating) Nickel

Coax Sizing (inches)	Min ~ Max
Center	.0399 ~ .0418
Dielectric	.180 ~ .193
Outer Jacket	.265 ~ .305

Coax Sizing (mm)	Min ~ Max
Center	1.01 ~ 1.06
Dielectric	4.57 ~ 4.90
Outer Jacket	6.73 ~ 7.75



Frequency (Hz)	dB
5 MHz	-40.4 dB
20 MHz	-37.9 dB
50 MHz	-36.1 dB
100 MHz	-33.4 dB
150 MHz	-31.2 dB
200 MHz	-28.7 dB

Lower return loss (dB) equates to less reflection through the connector while maintaining signal strength